

LED PROFILE DIAGONAL14 F/TY 1000 RAW ALU.



Recessed








Furniture

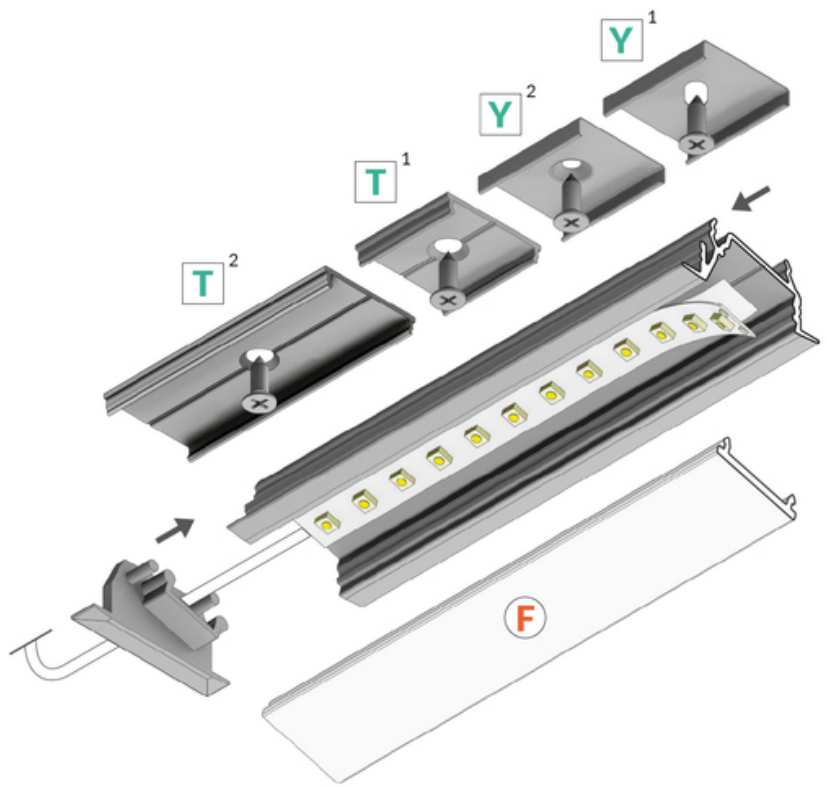
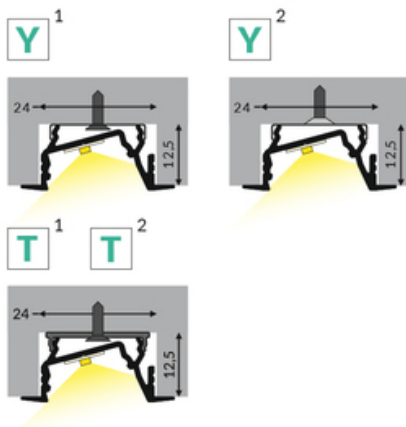
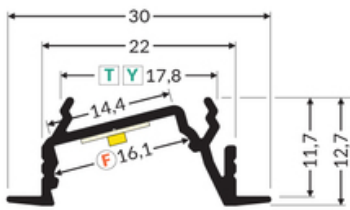


max 14 mm



Corner

	<ul style="list-style-type: none"> • reduced glare effect • used mainly in furniture 	<p>  CE  EU industrial designs  Made in Poland </p>	 <p>Buy product</p>
---	--	--	---



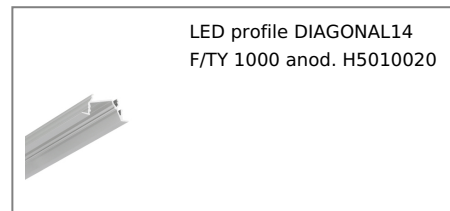
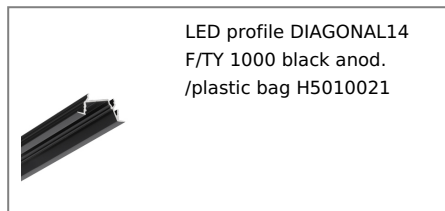


Basic Informations

EAN: 5901597284079
Index: H5010000
Material: aluminium
Color: raw aluminium
Length [mm]: 1000
Weight [kg]: 0.153
Net weight [kg]: 0.029
Country of origin: PL

Measurement unit: qty
Product packaging dimensions [mm]: 1000 x 30 x 12,7
Bulk packing [qty]: 40
Master packaging type: Bulk
Product with gross packaging weight [kg]: 6.12

AVAILABLE COLORS



AVAILABLE VARIANTS

1000 mm, 2000 mm, 3000 mm, 4050 mm

Matching elements

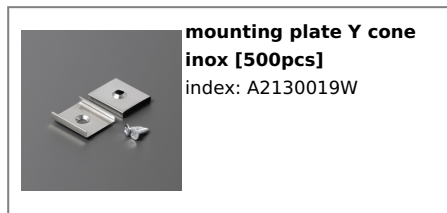
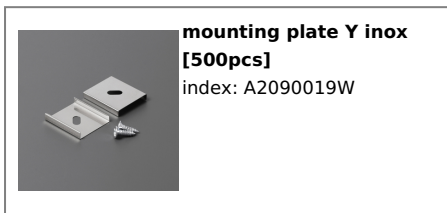
DIFFUSERS

TOPMET LIGHT KŁOSOWICZ WIŚNIEWSKI sp. z o.o.
Ostrowska 354 | 61-312 Poznań | POLAND
tel.: +48 61 872 75 00
info@topmet.pl

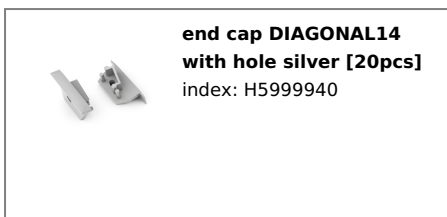
pdf card generation date: 10.03.2025



MOUNTINGS



END CAPS



CONNECTORS

