




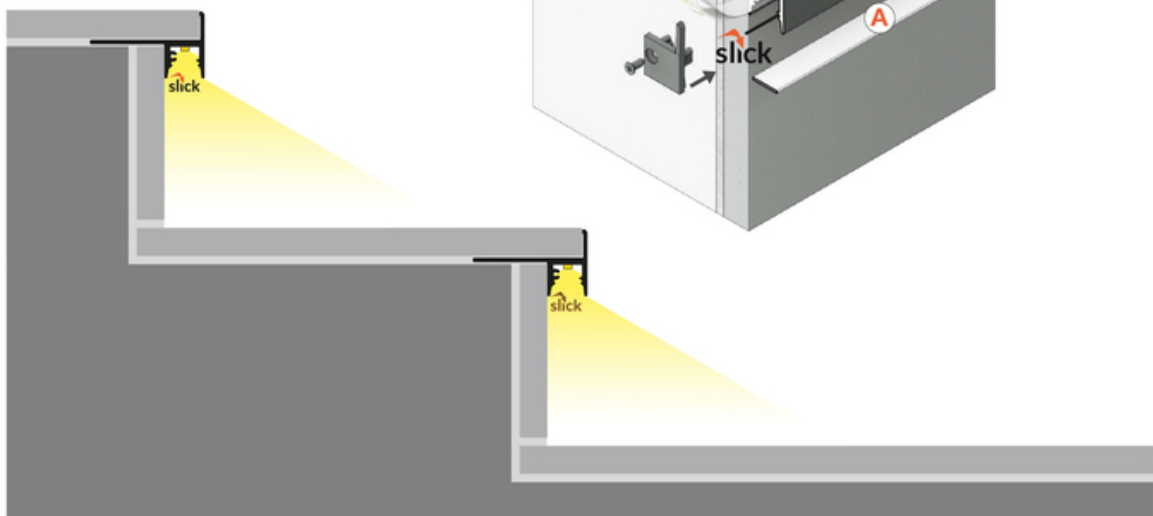
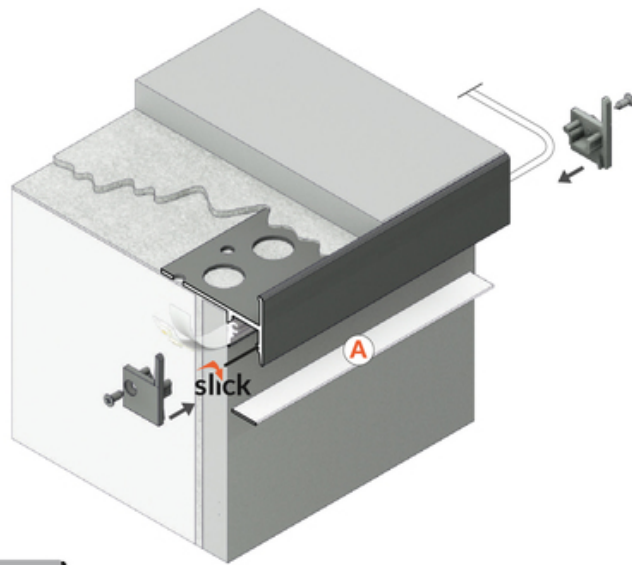
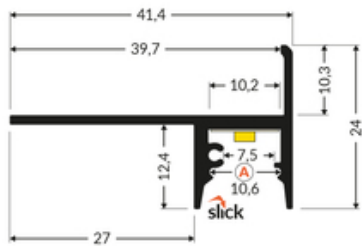
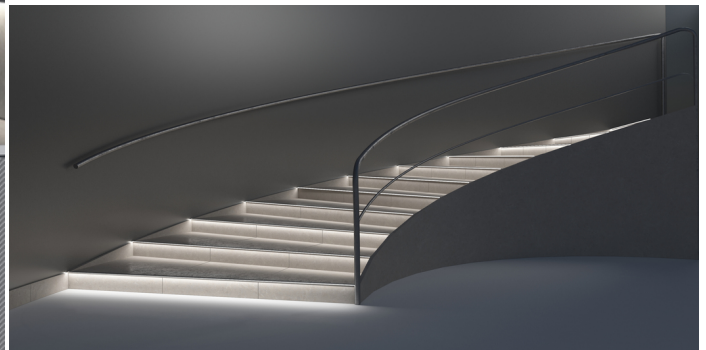
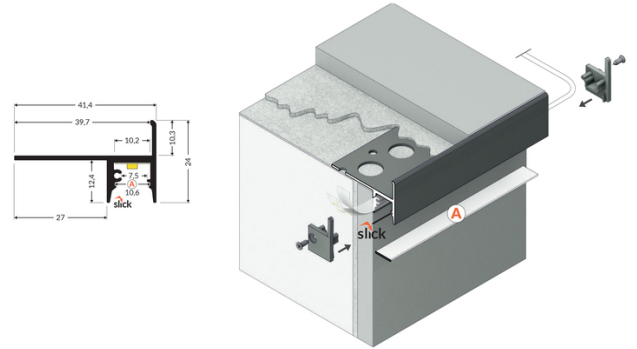
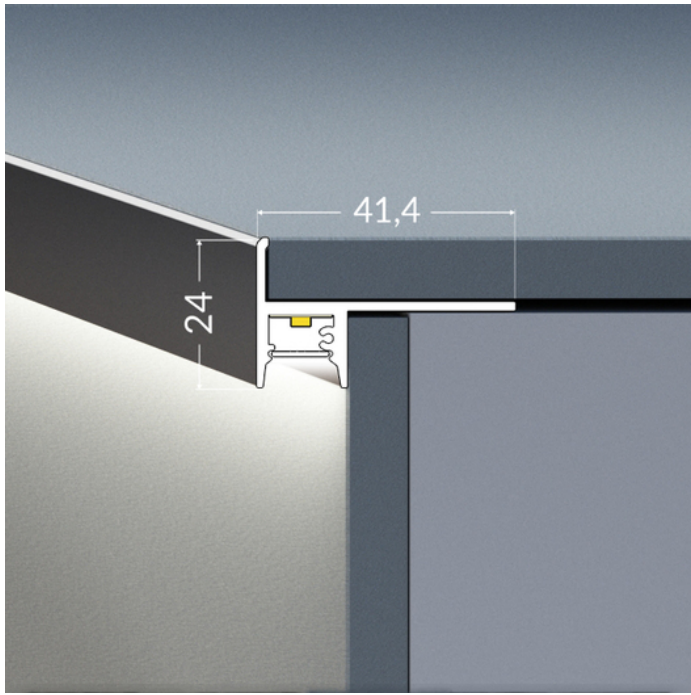


LED PROFILE UP-TILE10 A 1000 ANOD.



| | | | |
|---|--|--|--|
|  | <ul style="list-style-type: none">• for the illumination of steps and their edges• mounting in tiles• elegant and compact (one-piece)• without any glare effect• versatile - for places with different levels of movement• Slick socket | <p> CE</p> <p> EU industrial designs</p> <p> Made in Poland</p> |  <p>Buy product</p> |
|---|--|--|--|





Basic Informations

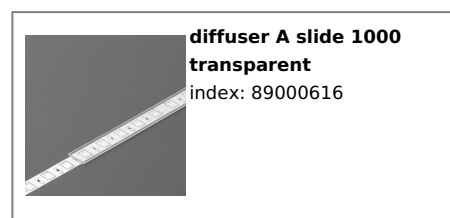
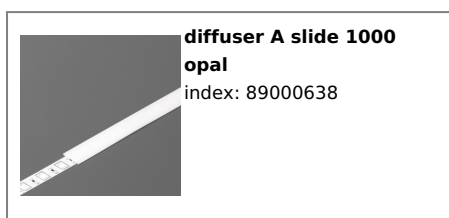
| | |
|---|---|
| EAN: 5901597223788 Index: J8000120 Material: aluminium Color: anodized Length [mm]: 1000 Weight [kg]: 0.323 Country of origin: PL | Measurement unit: qty Product packaging dimensions [mm]: 1000 x 24 x 41,4 Bulk packing [qty]: 10 Master packaging type: Bulk Product with gross packaging weight [kg]: 3.23 |
|---|---|

AVAILABLE VARIANTS

1000 mm, 2000 mm, 3000 mm, 4050 mm

Matching elements

DIFFUSERS



END CAPS

