

## INSTRUCTION MANUAL

### AUTO DUST CLEANER

COMPATIBLE WITH VT-5557



**02** YEAR  
WARRANTY\*

**COMPATIBLE WITH**  
V-TAC ROBOTIC VACUUM CLEANER [VT-5557]

### TECHNICAL DATA

SKU	7751 / 7752
UNIT COLOR	Black / White
DUST BIN CAPACITY	2 Litre
NET WEIGHT	2.7Kg
DUST COLLECT TIME	<20 Seconds
RATED INPUT	AC: 220-240V, 50/60Hz
RATED OUTPUT	19V, 1A
RATED POWER	680W
BODY TYPE	Strong and sturdy ABS built
DIMENSION	320x240x164 mm

### INTRODUCTION

Thank you for selecting and buying V-TAC product. V-TAC will serve you the best. Please read these instructions carefully before starting the installation and keep this manual handy for future reference. If you have any another query please contact our dealer or local vendor from whom you have purchased the product. They are trained and ready to serve you at the best.



### MULTI-LANGUAGE MANUAL QR CODE

Please scan the QR code  
to access the manual in  
multiple languages.

## WARNING

- This product is not to be used as a toy. Children and pets should be well supervised during use of the product.
- Do not sit or stand on this device.
- This product comes with a regionally approved power cord for use only with a standard household AC outlet. Do not use any other power cords. If you need to replace the power cord, please contact the Customer Service Center to ensure that the correct country-specific power cord is selected. source line.
- Do not open or disassemble the inside of this device except as permitted in these instructions. There are no parts inside the device that can be used by users. If you need to disassemble it, please consult professional maintenance personnel.
- There is a risk of electric shock, use only in a dry indoor location.
- Do not operate this device with wet hands.
- Please store or operate this equipment at room temperature.
- To reduce the risk of electric shock, unplug the device surge cord before cleaning.
- Do not pour any liquid into the device and do not immerse the device in water.
- Do not use outdoors or in damp locations.
- Do not use if the cord or plug is damaged. If the device does not work properly, please return it to a service center. • Do not put any debris.
- Do not use with the opening blocked and away from dust, lint, hair and anything that might reduce air flow.
- To avoid the danger of inadvertent resetting of the thermal cutout, this equipment must not be used with external switching devices (such as timers) or external circuits.
- This product cannot be used with any type of power adapter, use of the power adapter will immediately void the warranty.
- Do not use without a dust bag or filter.
- Please maintain the equipment reasonably, do not put foreign objects into the equipment, and ensure that there are no sundries in the equipment.
- Before cleaning or maintenance, please separate the robot vacuum from the dust collector.

## Use Restrictions

- Do not allow persons or children with physical, mental or sensory disabilities to use or operate this product.
- Do not let human or pet hair, fingers, etc. come close to the vacuum port of the machine when the dust collector is working.
- Do not sweep any burning objects (such as unextinguished cigarette butts) with the device.
- Please clean the dust collector when it is turned off or powered off.
- Do not wipe any part of this product with a damp cloth or any liquid.
- Please use this product in accordance with the instructions in the manual. Any loss and injury caused by improper use shall be borne by the user.



This marking indicates that this product should not be disposed of with other household wastes.



Caution, risk of electric shock.



FR

Cet appareil, ses accessoires et cordons se recyclent

À DÉPOSER EN MAGASIN



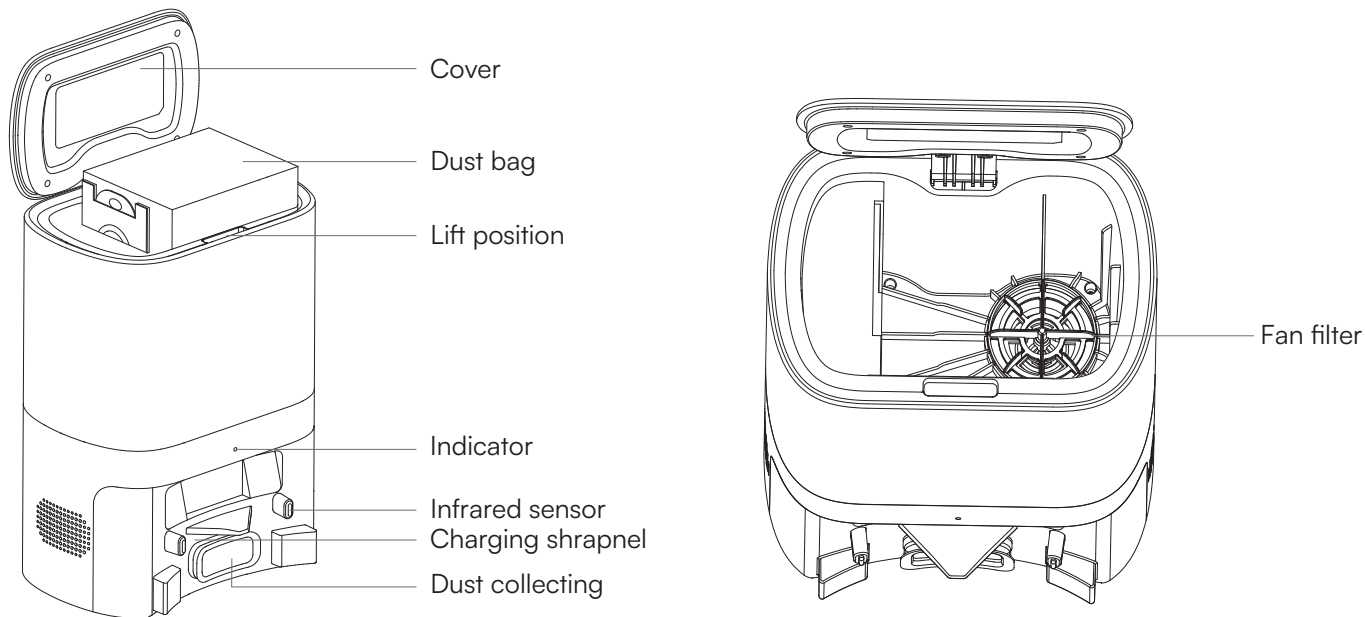
À DÉPOSER EN DÉCHÈTERIE



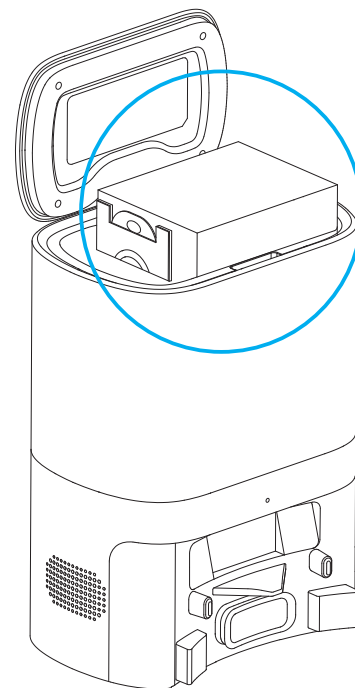
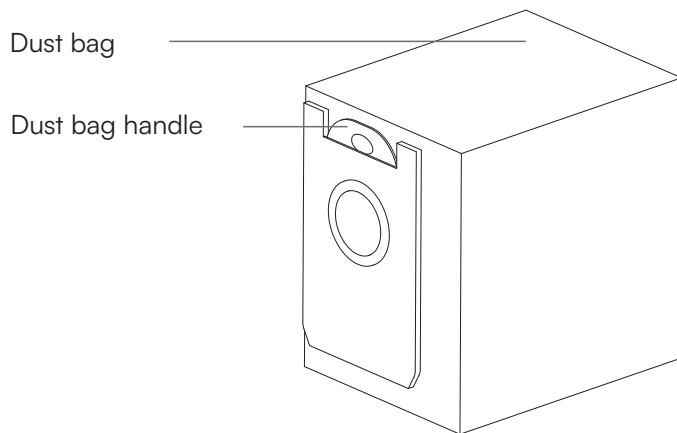
Points de collecte sur [www.quefairedemesdechets.fr](http://www.quefairedemesdechets.fr)  
Privilégiez la réparation ou le don de votre appareil !

## PRODUCT COMPOSITION / PART NAME

### AUTO EMPTY-DOCK



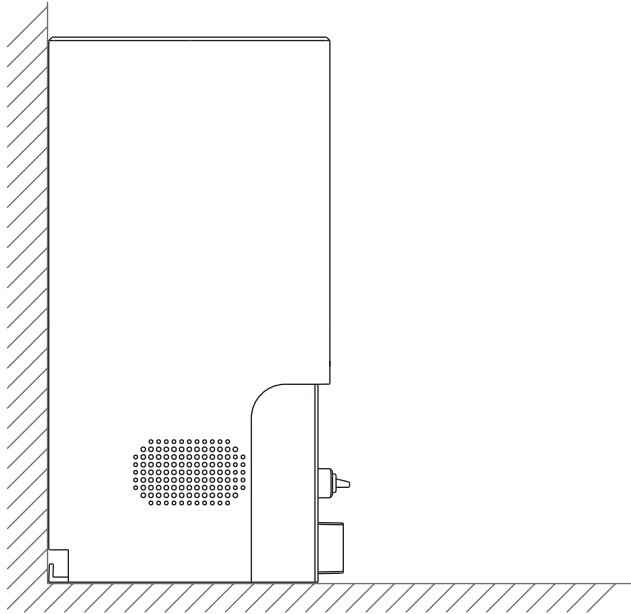
**AUTO-EMPTY DOCK ACCESSORIES**



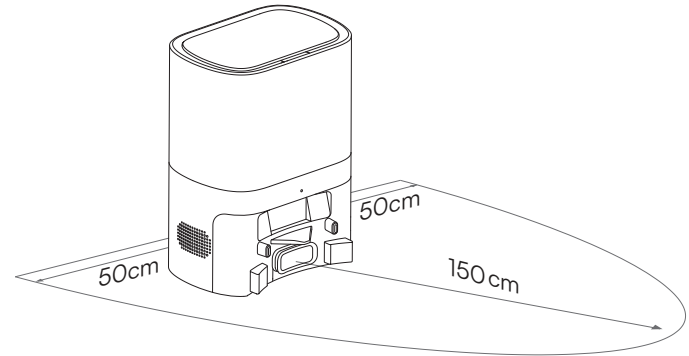
**Tip: The auto empty-dock has a dust bag installed at the factory**

# INSTALLATION

1. Take out and place the Auto-empty dock on a flat floor against the wall and tidy up the redundant wires



2. Clean up the sun dries around the dock and connect the power supply that meets the requirement of electricity consumption

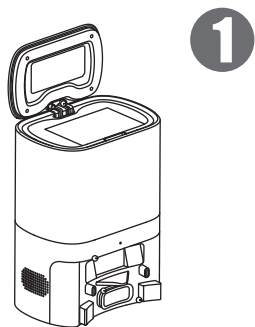


**Note:**

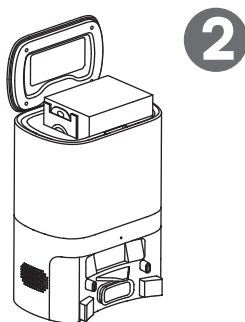
Ensure space more than 0.5m from the left and right to the charging base and 1.5m in front of the charging base

# INSTALLATION

## HOW TO CHANGE THE DUST BAG



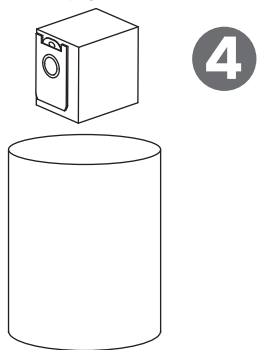
1. Unplug the power and open the Auto-empty dock cover



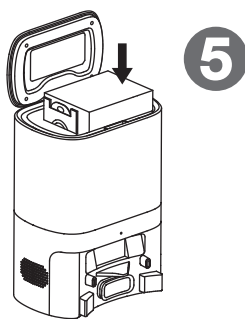
2. Pull up dust bag handle



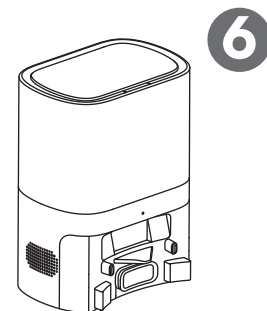
3. Remove the dust bag from the dock



4. Throw the used dust bag into the trash can



5. Install the new dust bag into the dock and ensure that the dust bag handle is not pulled out.

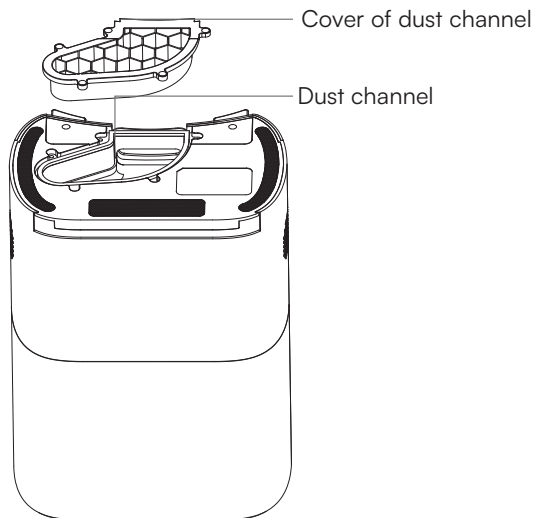


6. After covering the Auto-empty dock, switch on the power supply.

## ROUTINE MAINTENANCE

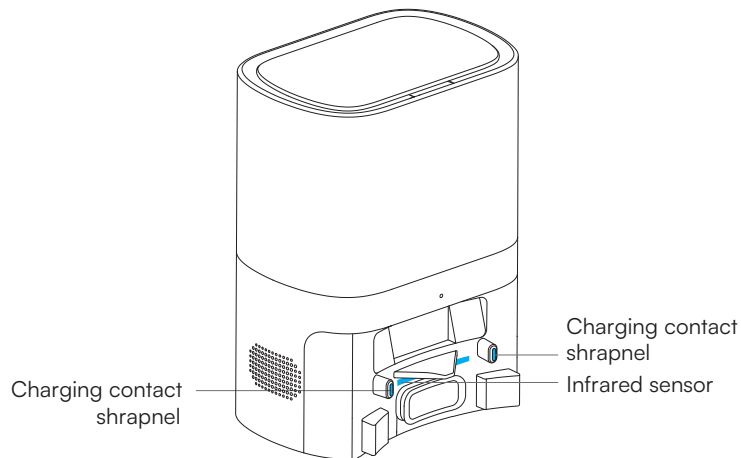
### Clean the Auto-empty dock dust channel

If the dock indicator blinks red after replacing the dust bag, please unplug it. Reverse the dock, through the dust channel perspective window, check whether the dust channel of the dock is blocked. If the dust channel is blocked, remove the dust channel perspective window with a screwdriver according to the following figure.



### Clean the Auto-empty dock infrared sensor / Charging contact shrapnel

Gently wipe the two areas regularly with a clean, soft, dry cloth. It is recommended to clean them once a month.



### Caution:

Violent disassembly is strictly prohibited. Please reinstall it after cleaning.

# TROUBLESHOOTING

LIGHT STATUS	COMMON ERROR	SOLUTION
Flashing red	The dust bag is missing, the dust bag is not installed in place, the fan does not start, or other faults	<ol style="list-style-type: none"><li>1. Check whether the dust bag is missing, if it is missing, please install the dust bag</li><li>2. Check that the dust bag is installed correctly and in place.</li><li>3. Frequent dust collection may cause overheating protection of the fan or failure of the fan. It is recommended that User</li></ol>
	The dust bag is full or the dust duct is blocked	<ol style="list-style-type: none"><li>1. The dust bag is full, replace with a new one.</li><li>2. Turn the dust collection station upside down, and check whether the dust channel of the base station is blocked, remove the dust duct see-through window with a screwdriver for cleaning.</li></ol>
No lights	No power supply or damaged plug	<ol style="list-style-type: none"><li>1. Please check whether the power is connected.</li><li>2. If the plug is damaged, please contact a professional for repair or replacement.</li></ol>

RoHS



UK  
CA

