



Meaningful Innovation.

WEEE Number: 80133970

INSTRUCTION MANUAL

LED COB DOWN LIGHT

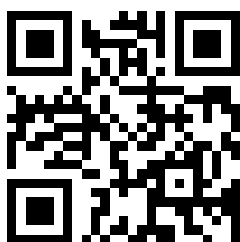
TECHNICAL DATA

MODEL	VT-2825	VT-2833
SKU	23155, 23156	23157, 23158
WATTS	20W	28W
LUMENS	1408 Lm	2500 Lm
INPUT VOLTAGE	AC 100~240V, 50/60 Hz	
BEAM ANGLE	25°	25°
PF	>0.7	>0.9
LIFE SPAN	25,000 Hours	25,000 Hours
ON/OFF CYCLE	15,000 Times	15,000 Times
IP RATING	IP20	IP20
MATERIAL	Aluminium	Aluminium
DIMENSION	Ø148x75 mm	Ø178x87 mm



INTRODUCTION & WARRANTY

Thank you for selecting and buying V-TAC product. V-TAC will serve you the best. Please read these instructions carefully before starting the installation and keep this manual handy for future reference. If you have any another query, please contact our dealer or local vendor from whom you have purchased the product. They are trained and ready to serve you at the best. The warranty is valid for 2 years from the date of purchase. The warranty does not apply to damage caused by incorrect installation or abnormal wear and tear. The company gives no warranty against damage to any surface due to incorrect removal and installation of the product. The products are suitable for 10-12 Hours Daily operation. Usage of product for 24 Hours a day would void the warranty. This product is warranted for manufacturing defects only.



MULTI-LANGUAGE MANUAL QR CODE

Please scan the QR code to access the manual in multiple languages.

In case of any query/issue with the product, please reach out to us at: support@v-tac.eu
For More products range, inquiry please contact our distributor or nearest dealers.
V-TAC EUROPE LTD. Bulgaria, Plovdiv 4000, bul.L.Karavelow 9B

WARNING

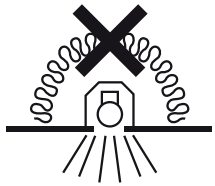
- Please make sure to turn off the power before starting the installation.
- Installation must be performed by a qualified electrician.
- The light source of this luminaire is not replaceable, when the light source reaches its end of life the whole luminaire should be replaced.
- For indoor use only.



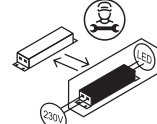
This marking indicates that this product should not be disposed of with other household wastes.



Caution, Risk of electric shock



Luminaires not suitable for covering with thermally insulating material.

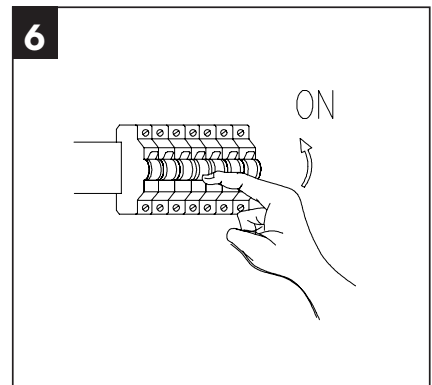
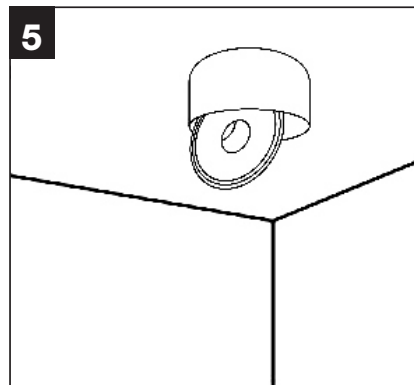
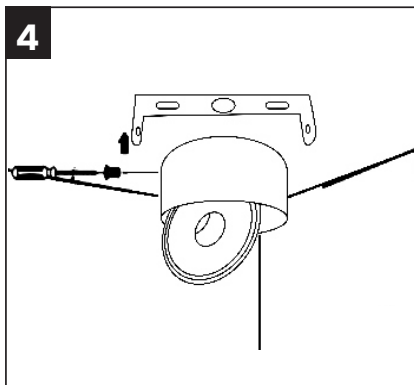
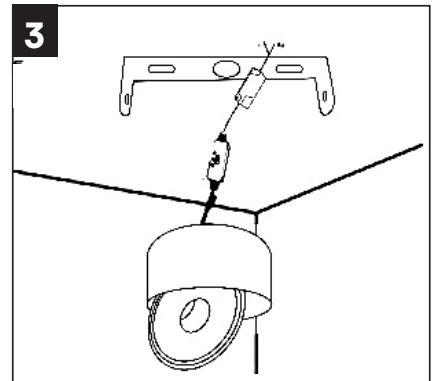
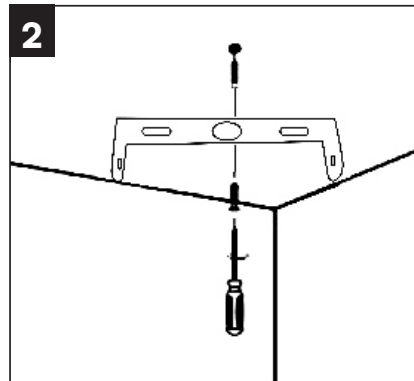
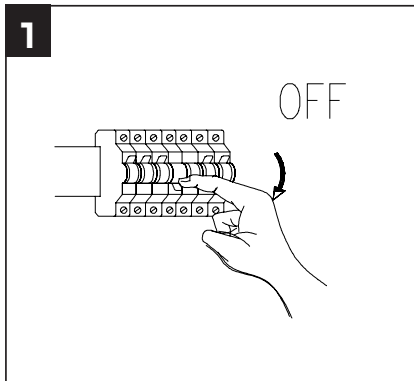


Replaceable control gear by a professional



Non-replaceable light source

INSTALLATION DIAGRAM



INSTALLATION INSTRUCTIONS

1. Confirm the installation position of the bracket.
2. Drill a hole.
3. Plug in expansion bolt.
4. Fix the bracket (Included) on the ceiling with screws.
5. Connect the wiring as per the wiring diagram.
6. Fix the downlight onto the bracket with screws.
7. Switch on the power and test.

RoHS



UK
CA

