

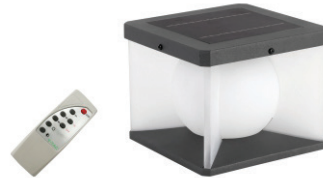


Meaningful Innovation.

INSTALLATION INSTRUCTION SOLAR LAWN LIGHT

TECHNICAL DATA

| | | |
|-------------------|-----------------------------|-----------------------------|
| MODEL | VT-7655 | VT-7656 |
| SKU | 23351 | 23352 |
| LUMENS | 40LM | 50LM |
| LED WATTS | 3W | 5W |
| COLOR | 3000K | 3000K |
| SOLAR PANEL WATTS | 5V/3W | 5V/8W |
| BATTERY VOLTAGE | 3.7V/2600mAH | 3.7V/5200mAH |
| BATTERY TYPE | (Li(NiCoMn)O ₂) | (Li(NiCoMn)O ₂) |
| SENSING RANGE | 3-5Meters | 3-5Meters |
| Charging Time: | 9H | 9H |
| Working Time: | 8 H | 8 H |
| Unit Size: | 205×205×190mm | 305×305×305mm |



INTRODUCTION

Thank you for selecting and buying V-TAC product. V-TAC will serve you the best. Please read these instructions carefully before starting the installation and keep this manual handy for future reference. If you have any another query, please contact our dealer or local vendor from whom you have purchased the product. They are trained and ready to serve you at the best.

WARNING!

1. Installation must be performed by a qualified electrician
2. Replace any cracked protective shield.
3. Keep away from the fire.
4. Don't immerse in the water
5. Luminaire cannot be installed in low-lying areas, so as not to soak.



This marking indicates that this product should not be disposed of with other household wastes.



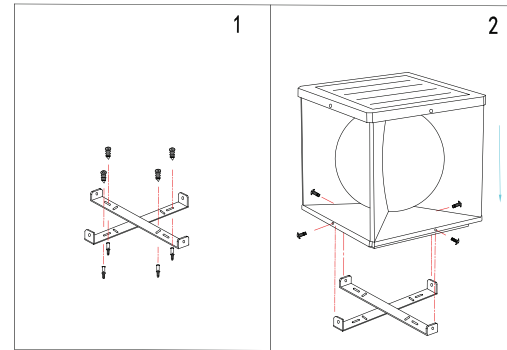
Caution, risk of electric shock.



IP65
RATING



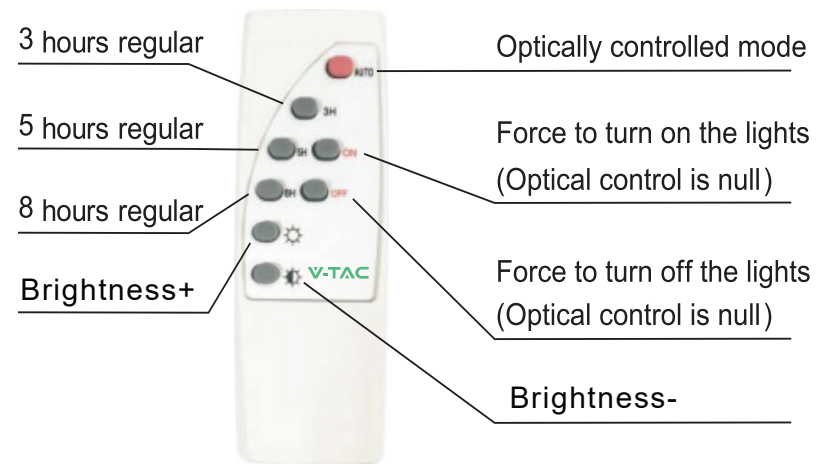
INSTALLATION DIAGRAM



MAINTENANCE

- Clean the light with a dry, lint-free cloth.
- Check the solar panel for dirt regularly. If dirt or is present remove it to guarantee flawless function of the product.
- Especially during the winter, keep the product free from snow and ice.
- Confirm no objects blocking the solar panel to receive sunlight

REMOTE FUNCTION



3 hours regular

5 hours regular

8 hours regular

Brightness+

Brightness-

Optically controlled mode

Force to turn on the lights
(Optical control is null)

Force to turn off the lights
(Optical control is null)