

V-TAC

Meaningful Innovation.

WEEE Number: 80133970

INSTRUCTION MANUAL LED SYNC CONTROLLER RGB

TECHNICAL DATA

MODEL	VT-2421
SKU	3340
OUTPUT	3 Channel
STATIC POWER CONSUMPTION	<1 W
OUTPUT CURRENT	<6.6A (Each Channel)
OUTPUT POWER	12V:240W, 24V:480W
RATED LOAD	12V:<240W, 24V:480W
SUPPLY VOLTAGE	DC: 12V-24V Optional
REMOTE DISTANCE	≤0m
OPERATION VOLTAGE	-20°C to +60°C
IP RATING	IP20
DIMENSION	64x81x24 mm



02 YEAR
WARRANTY*

INTRODUCTION & WARRANTY

Thank you for selecting and buying V-TAC product. V-TAC will serve you the best. Please read these instructions carefully before starting the installation and keep this manual handy for future reference. If you have any another query, please contact our dealer or local vendor from whom you have purchased the product. They are trained and ready to serve you at the best. The warranty is valid for 2 years from the date of purchase. The warranty does not apply to damage caused by incorrect installation or abnormal wear and tear. The company gives no warranty against damage to any surface due to incorrect removal and installation of the product. This product is warranted for manufacturing defects only.



This marking indicates that this product should not be disposed of with other household wastes.



Caution, risk of electric shock.

WARNING

1. Please make sure to turn off the power before starting the installation.
2. Installation must be performed by a qualified electrician.
3. For Indoor Use only



MULTI-LANGUAGE MANUAL QR CODE

Please scan the QR code to access the manual in multiple languages.



Points de collecte sur www.quefairedemesdechets.fr
Privilégiez la réparation ou le don de votre appareil !

In case of any query/issue with the product, please reach out to us at: support@v-tac.eu
For More products range, inquiry please contact our distributor or nearest dealers.
V-TAC EUROPE LTD. Bulgaria, Plovdiv 4000, bul.L.Karavelow 9B

PRODUCT DESCRIPTION

Controller adopts the advanced micro control unit, it is used for controlling a variety of LED light. For instance, point source of light, flexible light strip, wall washer lamp and so on. It has many advantages such as good appearance, easy connection and simplicity to use. Adopts RF 20 key remote control to ON/OFF, choose colors, change dynamic modes.

DIRECTION OF USE

- Connect the load wire and sync-signal cable at first, following by the power wire.
- Ensure short circuit can not occur before you turn on the power.

Adopt RF wireless remote control, 20 keys in total, function of each button as below:



Brightness +	Brightness -	Pause	On/Off
Static Red	Static Green	Static Blue	Static White
Static Orange	Static Yellow	Static Cyan	Static Purple
Auto Run	Three base color jumpy	Three color gradually change	Speed +
Flash	Seven base color jumpy	Seven color gradually change	Speed -

RF CODE

Receiver can be controlled by any one the same remote as factory default; remote control delivered with unique RF code as factory default; if unique-control is needed, please matching the code before installation and using.

MATCHING CODE OPERATION

Receiver and Remote Control are coded as default, matching them before using, if unique-control or new-coded-remote is needed, pairing the remote and the receiver as below operation instruction before using:

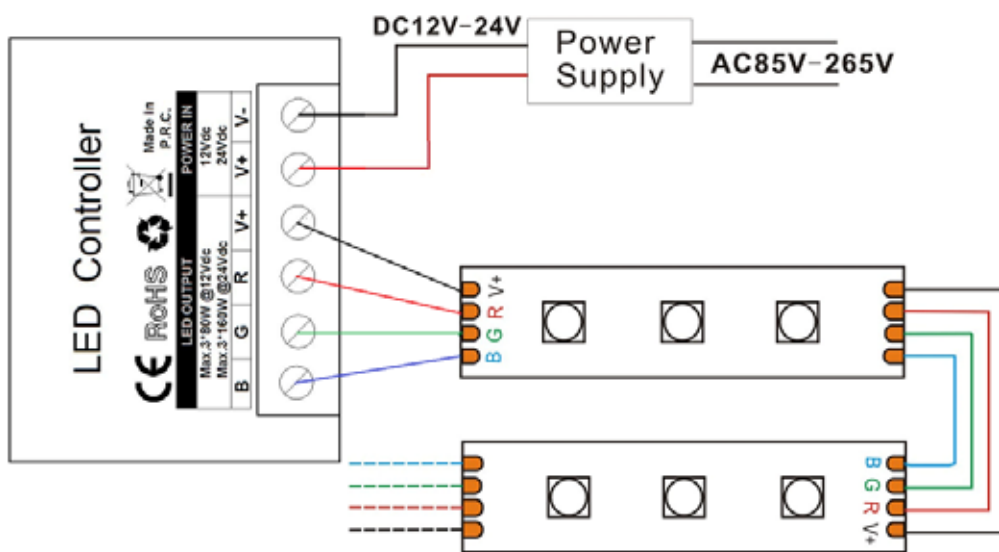
1. Step 1: Pressing key "FLASH" and hold on, power on the controller, the load LEDs will be 50% brightness white as responding.
 2. Step 2: Pressing "FLASH" 3times in 3 seconds, corresponding to the operation, the LED's brightness will change as 25%-10%-back to preset level.
 3. Code learning successfully, the receiver only can be controlled by the remote.
 4. If not, please re-operate from step 1 to 2.
-

CLEAR CODE OPERATION

Back to factory default, wall-panel can be controlled by any one the same remote control.

1. Step 1: Pressing key "JUMP7" and hold on, power on the controller, the load LEDs will be 50% brightness white as responding.
2. Step 2: Pressing "JUMP7" 3times in 3 seconds, corresponding to the operation, the LED's brightness will change as 25%-10%-back to preset level.
3. Code clearing successfully, the LEDs will be back to the status before the power off, and the receiver can be controlled by any remote control (any one the same remote control can be used to clear the code).
4. If not, please re-operate from step 1 to 2.

TYPICAL APPLICATION



RoHS



UK
CA

