

V-TAC

Meaningful Innovation.

WEEE Number: 80133970

INSTRUCTION MANUAL

LED DIMMER WITH TOUCH REMOTE CONTROLLER

TECHNICAL DATA

MODEL	VT-5115
SKU	2590
OUTPUT	3 Channel
STATIC POWER CONSUMPTION	<1 W
OUTPUT CURRENT	<6 A (Each Channel)
OUTPUT POWER	12V:216W, 24V: <432W
RATED LOAD	12V: ≤16W, 24V: ≤32W
SUPPLY VOLTAGE	DC: 12V-24V Optional
REMOTE DISTANCE	≤5m
OPERATION VOLTAGE	-20°C to +60°C
IP RATING	IP20
DIMENSION	160x150x55mm



02 YEAR
WARRANTY*

INTRODUCTION & WARRANTY

Thank you for selecting and buying V-TAC product. V-TAC will serve you the best. Please read these instructions carefully before starting the installation and keep this manual handy for future reference. If you have any another query, please contact our dealer or local vendor from whom you have purchased the product. They are trained and ready to serve you at the best. The warranty is valid for 2 years from the date of purchase. The warranty does not apply to damage caused by incorrect installation or abnormal wear and tear. The company gives no warranty against damage to any surface due to incorrect removal and installation of the product. This product is warranted for manufacturing defects only.



This marking indicates that this product should not be disposed of with other household wastes.



Caution, risk of electric shock.

WARNING

1. Please make sure to turn off the power before starting the installation.
2. Installation must be performed by a qualified electrician.
3. For Indoor Use only



MULTI-LANGUAGE MANUAL QR CODE

Please scan the QR code to access the manual in multiple languages.



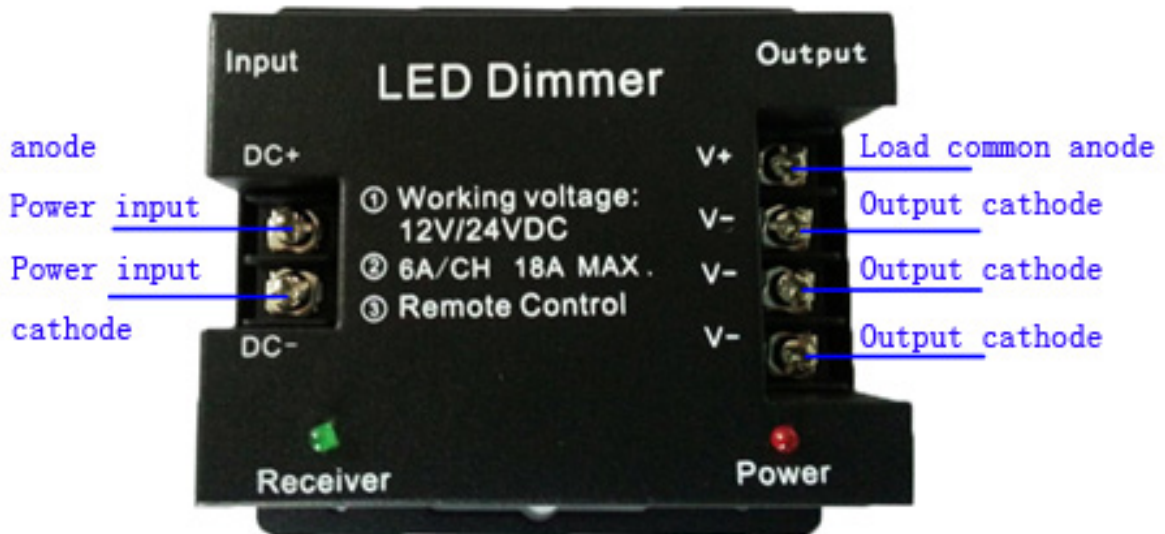
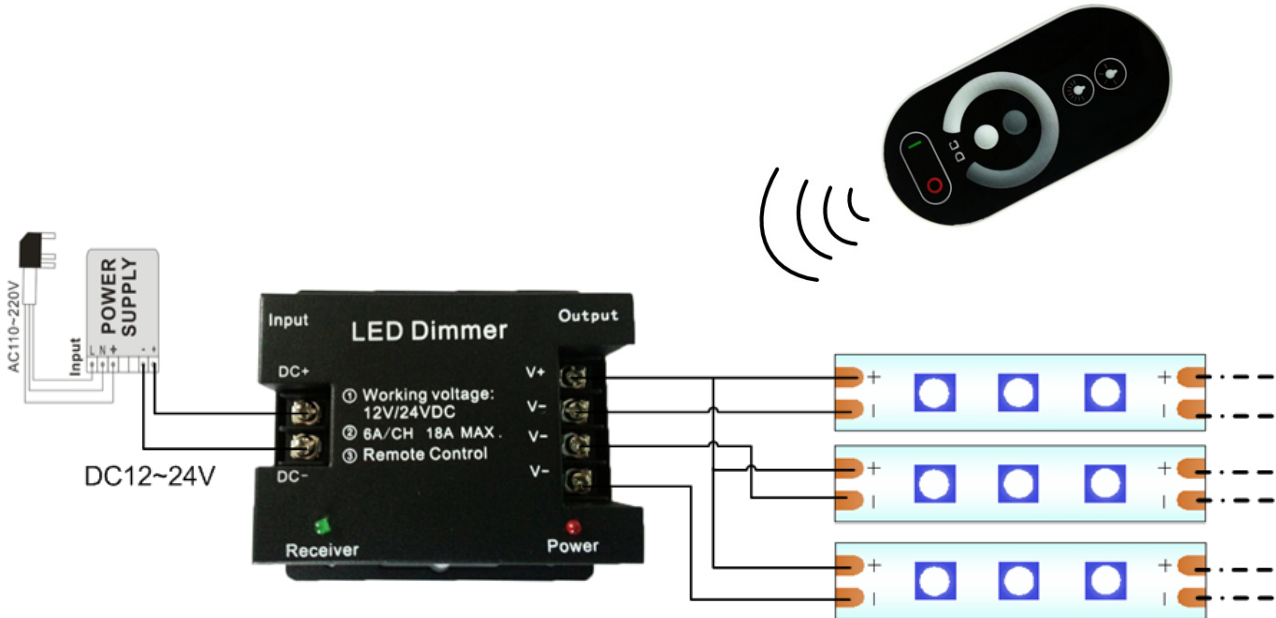
Points de collecte sur www.quefairedemesdechets.fr
Privilégiez la réparation ou le don de votre appareil !

In case of any query/issue with the product, please reach out to us at: support@v-tac.eu
For More products range, inquiry please contact our distributor or nearest dealers.
V-TAC EUROPE LTD. Bulgaria, Plovdiv 4000, bul.L.Karavelow 9B

PRODUCT DESCRIPTION

This RF LED Dimmer with Touch Remote is one of a newly design controller providing three channels single color output in parallel connection.

CONNECTION DIAGRAM



DC+ : For power input + (Power supply voltage DC12v-24v)

DC- : For power input -

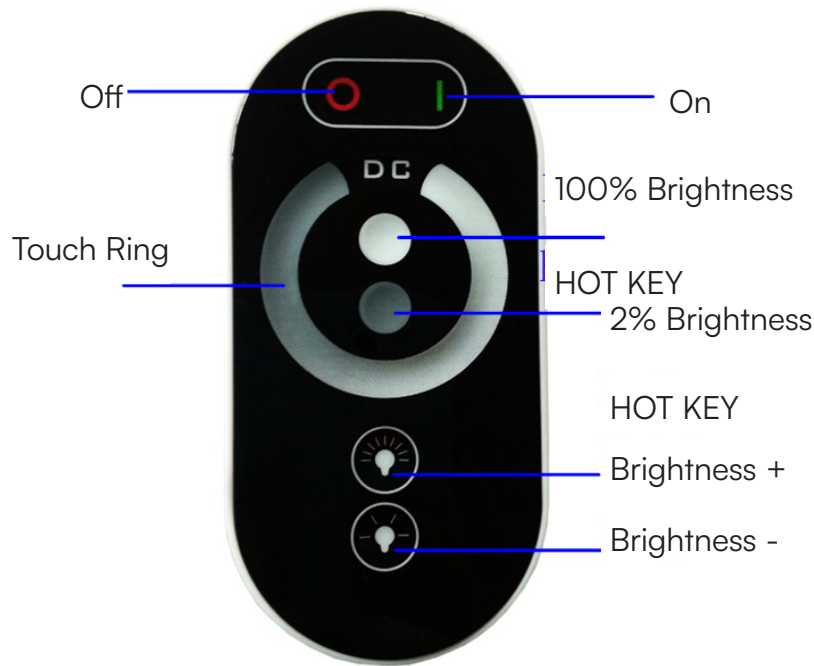
V+ : For Load Common anode

V- : Output cathode, three channel in parallel

Power : Power indication. When the power is on it will be turn Red.

Receiver : Green indicating light, normally it will be in the state of OFF, it will be twinkle when received Signal From the remote. When the controller output meets short circuit, the green indicating light will be twinkle in a Fixed frequency to indicate the user.

REMOTE FUNCTION INSTRUCTION



BUTTON	FUNCTION
	<p>The left one is OFF button, the right one is ON button, At any time just need to gently touch this two buttons, than can make it open or closed.</p>
	<p>The above key are %100 brightness hotkey, touch it gently, the brightness will reach at %100 brightness output.</p> <p>The above key are %2 brightness hotkey, touch it gently, the brightness will reach at %2 brightness output.</p>
	<p>Touching ring is as the chart on right shows,, Touch the are outside of this circle is the dead space, without button function; To slide the touching ring by clockwise ,the light will be become darker; To slide the touching ring by Counterclockwise the Cold light become brighter</p>
	<p>Brightness+ key, Increase output luminance.</p>
	<p>Brightness- key, Reduce output luminance.</p>

RoHS



UK
CA

